

Pammel Park
Madison CCB
May 19, 2022

Winterset Tornado - 3/5/2022

Newsletter

Volume 63
Issue No. 12
May 26, 2022



SAVE THE DATES:
The ICCS Calendar &
Zoom Meeting Room
Bookings
are available online via



- * June 15 – Dist. 6 Mtg. – Jackson CCB
- * June 16 – Dist. 5 Mtg. – Monroe CCB
- * June 21 – Winterfest Mtg. – Dallas County
- * June 24 – DEADLINE for CEO Applications
- * Aug. 17 – Dist. 3 Mtg. – O'Brien CCB
- * Aug. 18 – Dist. 4 Mtg. – Ringgold CCB
- * Aug. 24-26 – ISAC/CCDA Annual Meeting – D.M.
- * Aug. 26-30 – Summer IAN – Boundary Waters

Indicates Online
Registration Available



**2022 ICCS
Fall Conference**
September 13-15, 2022
Doorway to the Driftless
Dubuque, IA

**REGISTRATION
COMING SOON!**

ICCS Chief Executive Officer Position Posted

“Iowa's County Conservation System is seeking a dynamically qualified individual to assume the position of Chief Executive Officer of our award-winning operations as the current CEO transitions out of the position at the end of Calendar Year 2022” – these words welcome potential applicants that are exploring an interest in this position via information posted to **MyCountyParks.com** & **.org**. Applications are being accepted through close of business on June 24th. We encourage everyone to share this information with qualified individuals you feel would provide ICCS with innovative strong leadership in the years ahead. THX! 😊

JOB POSTING on MCP.com: <https://www.mycountyparks.com/Jobs/Default.aspx>
ADDITIONAL INFO. On MCP.org: <https://www.mycountyparks.org/2022-recruitment.html>
QUESTIONS: Mike Miner, Butler CCB – *contact information on webpages above*



2022 Iowa Legislative Session Adjourns!

At 12:10 AM on May 25th, the Iowa Legislature adjourned the 2022 Session. *(Look forward to a final review of all the Bills we have been following/working with in a final ICCS Legislative update in the days ahead!)* One bill of interest to all was the Bottle Bill (SF2378) which provided changes to the redemption process/system for the first time in over four decades. Key changes included: Raising the handling fee from 1 cent to 3 cents per can/bottle; providing opportunities for retailers to opt-out of accepting returns; provides opportunities for mobile redemption systems, etc.

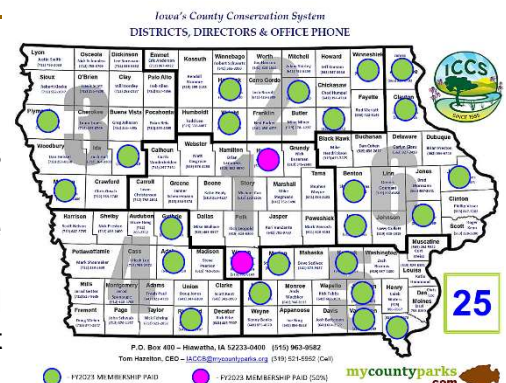
Various appropriations were approved this week as follows: Community Action and Tourism (CAT) at \$10M; Trails at \$2.5M; State Park Infrastructure at \$5M; and \$1.5M for Lowhead Dams & Water Trails; and, Resource Enhancement and Protection (REAP) \$12M. The governor has thirty days to review/sign/veto/etc.

ICCS FY2023 Membership Renewals

Special letters of invitation, and FY2023 invoices were emailed to all 99 CCB Directors on May 9th – **due date for renewals is August 1st**. MANY THANKS to the 25 CCBs that ICCS has already received renewals from! Revenue from county memberships represent a full 90% of the annual operating budget for the organization, and ICCS has been proud to support and represent our full 99-county system for the past decade! We very much appreciate your continued dedicated support & participation! 😊

IACCB@mycountyparks.org

(515) 963-9582



WEBSITE - RELATED UPDATES

ITEM #1 - Looking to become involved in the exciting future of **Iowa's County Conservation System?** The **MyCountyParks.com Division Advisory Committee** is looking for a couple of new CCB representatives to serve on the committee. This 9-person advisory committee meets a couple of times a year via Zoom and also serves as the planning members for the **Annual E-Commerce Summit** held each fall. At least one of the two replacement members should be from a CCB that does not currently provide online reservations or registrations, but is familiar with the website operations. Interested? – IACCB@mycountyparks.org

ITEM #2 – We have entered into discussions with our website developer – Informatics, Inc. for a major re-design of the website and expansion of functionalities and features available to you for your local CCB operations. These improvements have been made possible through the ongoing support of ICCS, as well as revenues generated from the modest Processing Fees assessed to customers when reserving facilities and registering for paid events. A preliminary list of improvements includes: Point of Sale & Inventory Management integration; County Level “Merchandise & Items For Sale” opportunities; integration with local Iowa Tourism attractions/businesses; integration with DNR maps/information; improved County & Site-wide Level Advertising opportunities; improved County & Site-wide Promotions/Discounts/Coupon Opportunities; MCP.com Gift Cards available for online purchases through the website; overall redesign / fresh-look and functionalities for website; alternative payment methods (Paypal, etc.); security enhancements; integrated “Help Desk” feature for County Administrators; numerous additional administrative improvements, etc.

How do YOU provide input? In the upcoming weeks, look for your opportunity to provide input from your perspective of *“How Can the Website Improve Your Services to the Public / Streamline Administrative Operations of Your CCB's Facilities & Event Reservations/Registrations”*. ICCS & MCP.com are poised for a major investment in the future of Iowa's County Conservation System, and we need your valuable input about how we can better serve you and your customers/visitors with online services! Stay tuned..... 😊

Pilot Rock®

**PARK • STREET • CAMP
SITE PRODUCTS**

Across our different product lines we offer hundreds of choices in style, size, features, materials and colors.

Commercial quality products able to withstand years of use and exposure.

Made in the USA since 1959.

RJ Thomas Mfg. Co., Inc.
Cherokee, Iowa
800-762-5002
www.pilotrock.com
customerservice@rjthomas.com



DISTRICTS 2 & 4 MEET – Winnebago & Madison CCBs

District 2 met on May 18th at the NSB Bank in Forest City – many thanks to **WCCB Director Robert Schwartz and the Winnebago CCB staff** for hosting and orchestrating the meeting. In addition to the District 2 Business Meeting – agenda topics included a DNR program on Sandhill Cranes, and a “live” demo of embedded fish hook-in-the-forearm removal by Kellie Lillie during her presentation on Wilderness Medicine. (P.S. – No one volunteered for the fish hook in the eye removal demo! :-)

District 4 met on May 19th at the Pammel Park Lodge near Winterset – thanks there to **MCCB Director Steve Pearson & MCCB staff** for hosting and presenting at the meeting. In addition to the District 4 Business Meeting, those

in attendance heard from MCCB staff about their emergency response to the March 4th Winterset tornado & recovery process. We also had a behind the scenes look at their new education center under construction. A Sept./Oct. Grand Opening is anticipated ☺



District 4 meeting at the Pammel Park Lodge in Madison Co.



A bonus to the **District 4 Meeting** in Madison County was crossing paths with recently retired MCCB Director **Jim Liechty!** Jim says “Hi” to everyone, and reports that all is well in the world of IPERS ☺



Behind-the-scenes tour of new MCCB Education Center

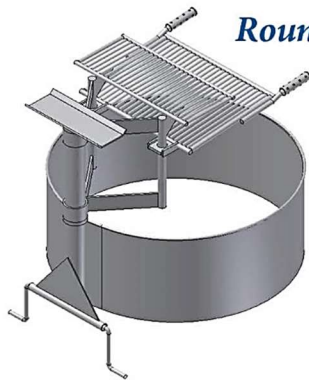


District 2 meeting was hosted by the Winnebago CCB



New Madison CCB EE Center to open in Sept./October

IPI IS ACCEPTING ORDERS! GRILLS & FIRE RINGS



Round Grills



Fire Rings



Stand-Up Grills

With IPI, you will receive:

- Local sales & service • Easy ordering options with no minimum order sizes •
- Quality products with competitive pricing •

ipicustomerservice@iowa.gov | 800-332-7922 | www.iaprisoinind.com

Purchases from Iowa Prison Industries support our valuable work training programs, allowing Iowa's incarcerated men and women the opportunity for Building Brighter Futures.



COUNTY CREEK SIGN GRANT PROGRAM AVAILABLE

(NO MATCHING \$\$ REQUIRED!) The Iowa DNR's Water Quality Improvement program is now accepting applications through July 15 for its new "County Creek Sign Grant Program." The grant will provide between \$5,000 and \$10,000 per county to install creek signs and watershed signs on county roads or city streets within priority watersheds. **DEADLINE FOR GRANT APPLICATIONS IS JULY 15th**.

The general purpose of the grant is to enhance awareness of creeks and watersheds in Iowa, especially where watershed projects are underway to improve water quality. For more information, contact Steve Hopkins, Nonpoint Source Coordinator, Iowa DNR Water Quality Improvement Section, at Stephen.hopkins@dnr.iowa.gov or at 515-505-0140. Additional grant information/application available via the following link:

https://www.iowadnr.gov/Environmental-Protection/Water-Quality/Watershed-Improvement?utm_medium=email&utm_source=govdelivery



ICCS FALL CONFERENCE SPONSORSHIPS & VENDOR REGISTRATION

In late April we were able to roll out the online **Vendor Registration** for the 2022 ICCS Fall Conference in Dubuque. Vendors can also access information about sponsorships and Preferred Vendor Memberships with ICCS. If you work with or have used the products/services of a vendor that you think may benefit from any of these engagements with county conservation, please feel free to share these connections with them – thanks!

REGISTRATION:

<https://www.mycountyparks.com/Org-Event/Default.aspx>

SPONSORSHIP INFORMATION:

https://www.mycountyparks.org/uploads/1/0/6/7/106716567/vendor_packet_-_final.pdf



CHANGES COMING TO ALL DNR GRANT COMMITTEE STRUCTURE/PROCESS

As many of you have heard at the recent District Meetings, the DNR is in the final review process of procedural changes for all of the committees that receive/review the applications for the various grant programs administered by the Department. This affects ICCS as we have three CCB representatives on each of the **REAP and Habitat Stamp Grant Committees**. In addition to these three representatives, we will now need to provide two-or three alternates to substitute for any of the active committee members that may have a grant submission in any given grant cycle. Stay tuned for future information in the weeks ahead as we formalize a process for these changes.



MARKETING/PROMOTING PUBLIC LANDS IN FY2023

At their May 12th meeting, the **ICCS Board of Directors** identified available funding to support initiatives developed & coordinated by ICCS over the next 18 months that will promote the use of and need for public lands with unique educational and marketing efforts. One end-product of these initiatives will be a general "toolbox" of printed and digital materials (handouts, videos, sample letters to the editor, etc.) that will be available to customize for use at your local CCB level. Additionally, ICCS plans to share materials that are currently under development by our partner organizations across the state. Many agencies and organizations, including ICCS have identified a need for informational/educational materials to assist with both internal and external "marketing" about the value of public lands. This involves employees, board members, local and state elected officials, community & business leadership AND the public.



Our individual efforts will yield a great collection of fact-based, positive messaging pieces which will include suggested guidelines and steps to plan and implement local events surrounding milestone celebrations, ribbon cuttings, ground breakings, etc. With the 2022 Legislative Session behind us, initial discussions are already exploring target audiences, prioritizing messages and establishing potential timelines. Look forward to your opportunity to provide input for these efforts in the weeks ahead as we need to **HEAR FROM YOU** about what tools would be most helpful in order for you to better tell your local stories and effectively engage with your legislators and other local officials / business leaders. *Stay tuned*

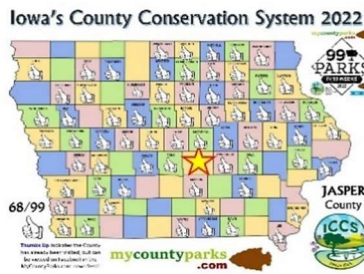
THE ICCS SELFIE STATION NETWORK EXPANDS TO FLORIDA!



ICCS is networking with yet another state that has found our selfie stations intriguing & worthy of getting more information! **Orange County, FL** (Orlando) came calling earlier this month with the inquiry and requests for design plans, pictures, costs and more information. We're happy to help - 'cause what's not to like about FUN!?? 😊

STATE WILDLIFE VETERINARIAN CONTACT INFORMATION

At the District 2 Meeting this past week, we had an excellent presentation about the Sandhill Crane populations and migrations in Northern Iowa by Orrin Jones, Waterfowl, Wetlands Program Leader (orrin.jones@dnr.iowa.gov) He shared with us the name and contact information for the DNR's Wildlife Veterinarian, and invited us all to call her at any time with relative information about strange behavior or conditions in wildlife that we have occasion to interact with across the state. She is: Dr. Rachel Ruden, (515) 823-8544 / rachel.ruden@dnr.iowa.gov



5/30/2022	Washington
6/6/2022	Clarke
6/13/2022	Emmet
6/20/2022	Henry
6/27/2022	Johnson
7/4/2022	Montgomery

#THISISIOWA

WEEK NUMBER 72 UPDATE!



- MyCountyParks.com

Now having reached 441,925+ people and shared over 1,467 photos!

Proud to be recognized as the 2022 Iowa Tourism Outstanding Niche Marketing Initiative !!

"You don't need to practice social distancing from Mother Nature: Enjoy Iowa's County Parks!"

EMPLOYMENT OPPORTUNITIES

JOBS

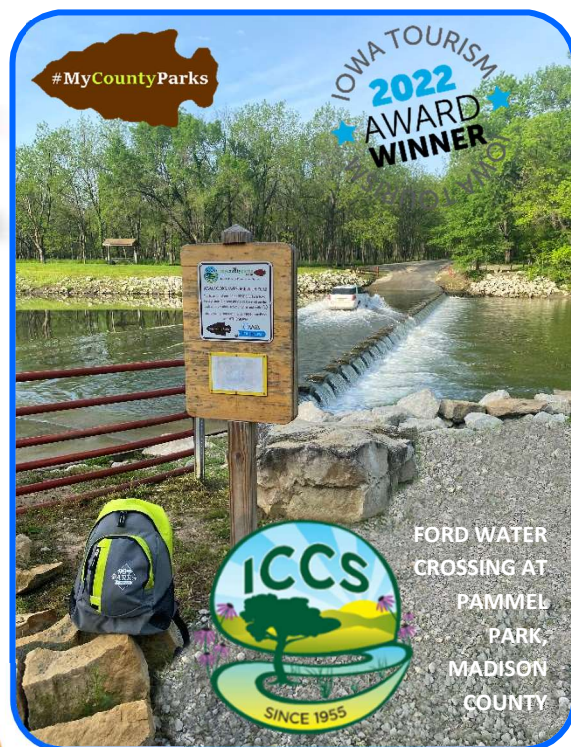
mycountyparks.com

- Full Time
- Seasonal/Part-Time

<https://www.mycountyparks.com/Jobs/Default.aspx>

1. ICCS – Chief Executive Officer (Deadline June 24th)
2. WORTH Co. – Naturalist
3. MAHASKA Co. – Executive Director
4. WAPELLO Co. – Office Mgr./Admin. Assistant
5. AUDUBON Co. – Maintenance Tech./Asst. Park Ranger
6. POLK Co. – Equestrian Program Coordinator
7. DUBUQUE Co. – Park Ranger
8. HAMILTON Co. – Golf Course Clubhouse Mgr. / Pro
9. HARDIN Co. – Interpretive Park Technician
10. VAN BUREN Co. – Naturalist /Conservation Tech
11. POLK Co. – Conservation Laborer – Construction
12. POLK Co. – Facility Attendant
13. IOWA Co. – Administrative Assistant PPT
14. SEASONAL POSITIONS – 100+ opportunities listed on website

5/26/2022



THE Backpack and I found a CCB Selfie Station in Central Iowa last week – have you found one lately?? 😊